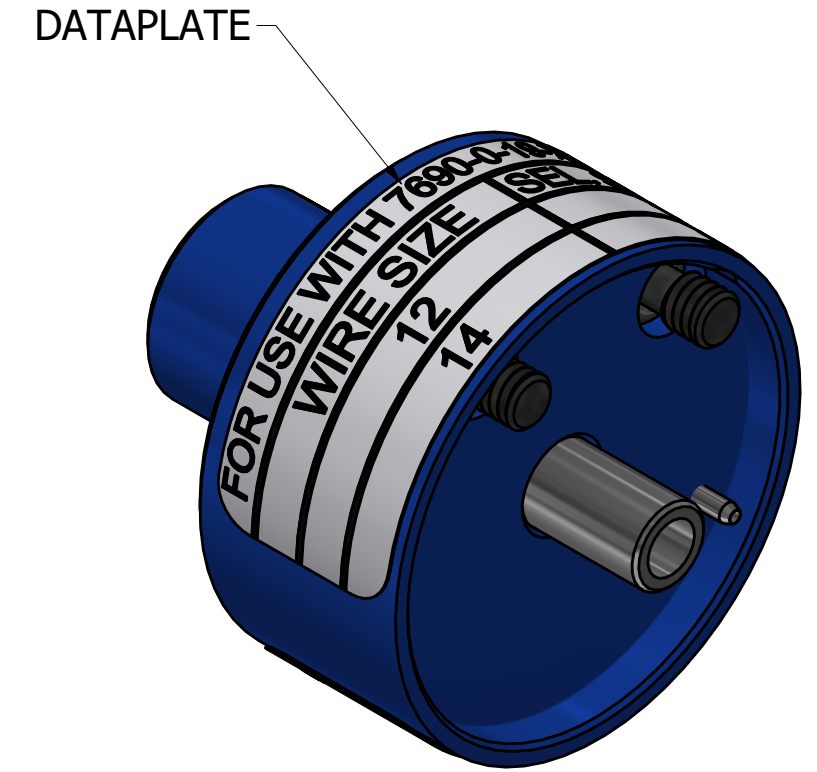
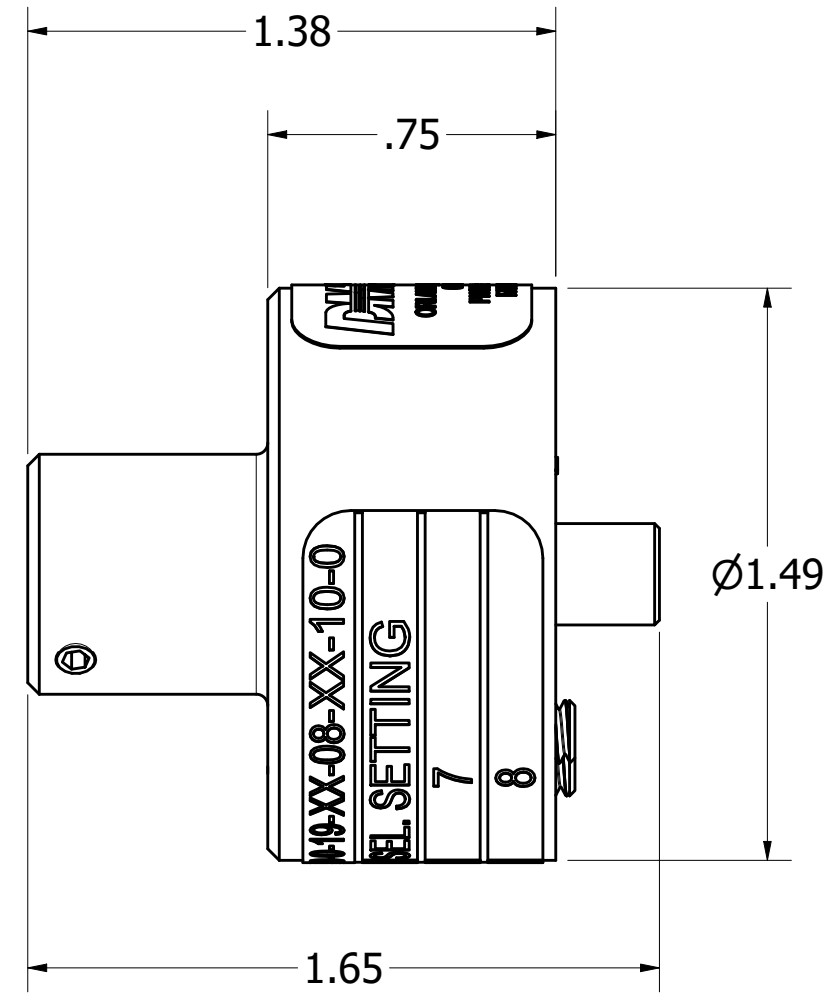


REVISIONS					
REV	ECO NO.	DESCRIPTION	BY	DATE	APP'D BY
1		INITIAL RELEASE	L.MONTMINY	10/29/2004	



FOR USE WITH 7690-0-19-XX-08-XX-10-0	
WIRE SIZE	SEL. SETTING
12	7
14	8

LOCATOR	
HOLE DIMENSIONS	ADDITIONAL FEATURES
Ø.172 ▽.435	

DATAPLATE
SCALE 3:1

**UNCONTROLLED DOCUMENT
WILL NOT BE UPDATED**

DIMENSIONS IN INCHES - UNLESS OTHERWISE SPECIFIED
RESTRICTED & CONFIDENTIAL

CONFIDENTIAL PROPERTY OF DANIELS MANUFACTURING CORP. NOT TO BE DISCLOSED TO OTHERS. REPRODUCTION OR USED FOR ANY OTHER PURPOSE EXCEPT AS AUTHORIZED IN WRITING BY DANIELS MANUFACTURING. MUST BE RETURNED TO DANIELS MANUFACTURING CORP. ON COMPLETION OF ORDER OR PURPOSES FOR WHICH LENT.

DRN. L.MONTMINY	DATE 10/22/2024	INTERPRET PER ASME Y14.5M-2018	
CHK'D KCK	DATE 10/22/2024	DANIELS MANUFACTURING CORP. ORLANDO, FLORIDA CAGE 11851	
APP'D T. KUHL	DATE 10/22/2024		
NOTE: THIS DRAWING IS AN OUTLINE DRAWING OF THE RESPECTIVE DMC PART NUMBER INDICATED.		TITLE SINGLE POSITION HEAD ENVELOPE DRAWING	
WHERE USED:		SIZE B	SCALE N.T.S.
		CAD NO. TP1931_ENV	SHEET 1 OF 1
		PART NO. TP1931	REV. 1